

Rules for Safe Operation

- Read this entire manual before assembling and using your reel mower.
- Allow only those persons who have read and understood these safety rules to use the mower.
- Make sure the mower is in safe operating condition before each use. Make sure all nuts, bolts and screws are tight. Make necessary adjustments and repair any damage before use.
- Inspect the lawn and remove any sticks, stones, wire, bones or other debris before mowing. Such objects can be thrown by the mower or cause the mower to stop suddenly and can damage the mower.
- Store and use the mower away from the reach of small children, the blades are sharp.
- Wear substantial only footwear when using the mower, never sandals, slippers or bare feet.
- Keep hands and feet away from the blades and moving parts of the mower at all times.
- Mow in only in daylight or good artificial light.
- Mow only dry grass, never damp or wet grass.
- Keep both hands on the handles and maintain solid footing at all times, always walk, never run.
- Mow across the face of slopes, never up or down. Exercise extreme caution when changing direction on slopes . Do not mow extremely steep slopes.
- Avoid striking trees, fences, curbs, lawn borders or other objects as this can cause injury or damage the mower.
- Mower must be properly lubricated and sharpened in order to operate safely and efficiently.

CARTON CONTENTS

Loose Parts in Carton

1. Upper Handle (2)
2. Handle Panel
3. Handle Brace (2)

4. Reel Assembly
5. Hardware Package

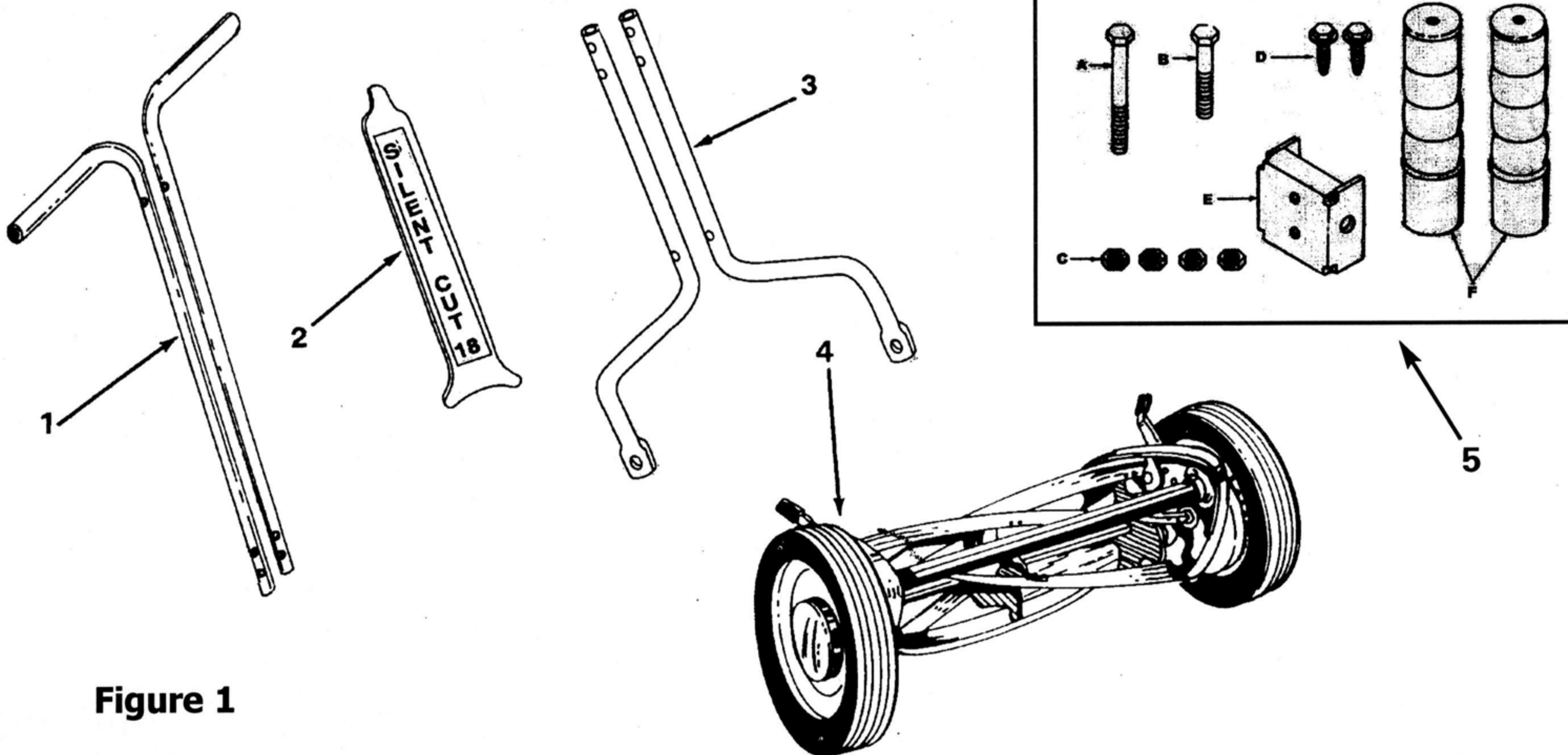


Figure 1